

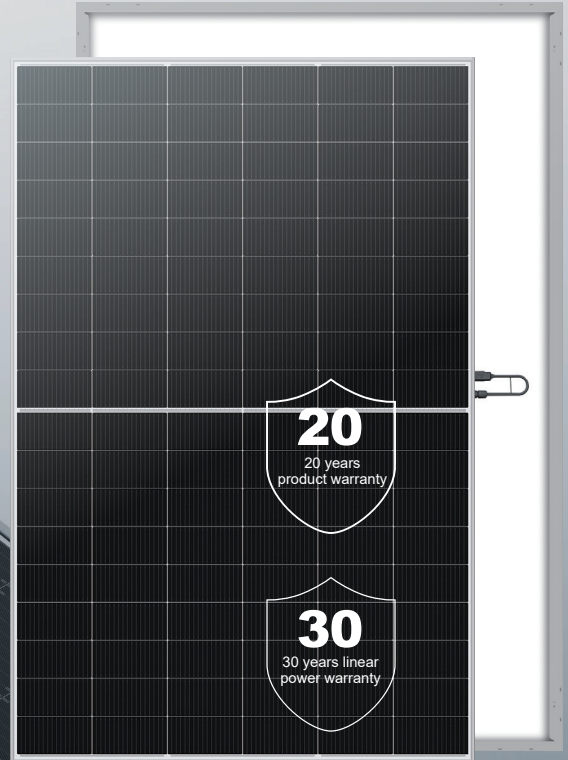
# iNFINITY RT

**N-type**  
Mono-Facial Module

**DMxxxM10RT-54HSW**  
**445~465W**

**23.3%**  
Max. Efficiency

- **Leading manufacturing**  
40+ years experience in high-tech manufacturing.
- **High environmental, social and governance responsibility (ESG)**  
100% green production, transparent supply chain and excellent ESG rating in the solar industry.



### Higher Module Efficiency

Increased energy yield due to optimized material use.



### High Reliability

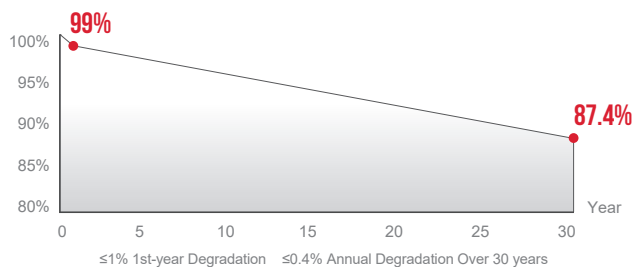
Excellent resistance to harsh environmental conditions such as salt, ammonia, sand, and hail.



### Green Product

Focus on circular economy - low carbon footprint, PFAS-free and recyclable components.

## POWER WARRANTY



## COMPANY MANAGEMENT SYSTEM

- SA 8000: ILO Standards. Social responsibility standards
- ISO 9001: Quality management system
- ISO 14001: Environmental management system
- ISO 45001: Occupational health and safety management system
- ISO 50001: Energy management system
- ISO 27001: Information security management system

## PRODUCT CERTIFICATION

- IEC 61215, IEC 61730
- Ammonia Corrosion (IEC 62716)
- Salt Mist Corrosion (IEC 61701)
- LeTID (IEC TS 63342)
- Dust & Sand (IEC 60068)



SolarPower Europe



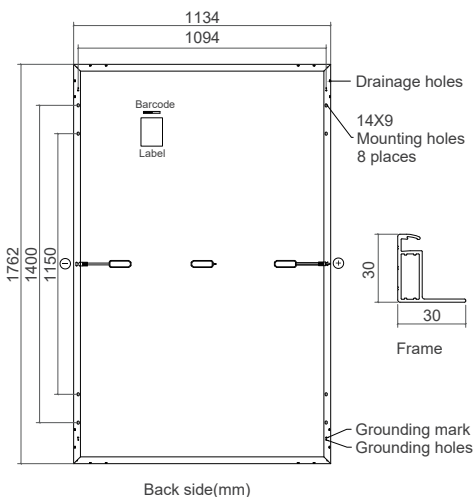
Warranty partner



# DMxxxM10RT-54HSW

## Module Specification

Cell Type	N type Mono-crystalline, 108(6×18)
Dimensions (mm)	1762x1134x30
Weight (kg)	20.6
Front Cover	3.2mm tempered glass
Rear Cover	Backsheet
Junction Box	3 Diodes, IP68 according to IEC 62790
Cables	4mm <sup>2</sup> /Portrait: 350mm(+)/250mm(-) Landscape: 1100mm(+)/1100mm(-) Length can be customized
Connector Type	PV-ZH202B or MC4(1000V) PV-ZH202B or MC4-EVO 2A(1500V)



## Electrical Specifications<sup>1</sup>

Module Type	DM445M10RT-54HSW DM445M10RT-54HSW-V <sup>4</sup>		DM450M10RT-54HSW DM450M10RT-54HSW-V		DM455M10RT-54HSW DM455M10RT-54HSW-V		DM460M10RT-54HSW DM460M10RT-54HSW-V		DM465M10RT-54HSW DM465M10RT-54HSW-V	
	STC <sup>2</sup>	NMOT <sup>3</sup>	STC	NMOT	STC	NMOT	STC	NMOT	STC	NMOT
Maximum Power (Pmax/W)	445	335	450	339	455	343	460	347	465	350
Maximum Power Current (Imp/A)	13.20	10.68	13.27	10.73	13.34	10.79	13.41	10.84	13.48	10.90
Maximum Power Voltage (Vmp/V)	33.71	31.49	33.91	31.68	34.11	31.86	34.31	32.05	34.51	32.24
Short-circuit Current (Isc/A)	14.10	11.36	14.17	11.41	14.24	11.47	14.31	11.53	14.38	11.58
Open-circuit Voltage (Voc/V)	40.05	37.94	40.25	38.13	40.45	38.32	40.65	38.51	40.85	38.69
Module Efficiency STC (%)	22.3		22.5		22.8		23.0		23.3	

<sup>1</sup> Measurements according to IEC 60904-3, Measurement tolerance: Isc: ±4%, Voc: ±3%, Test uncertainty for Pmax: ±3%

<sup>2</sup> STC (Standard Test Condition): Radiation 1000W/m<sup>2</sup>, Module temperature 25°C, AM=1.5

<sup>3</sup> NMOT: Radiation 800W/m<sup>2</sup>, Ambient temperature 20°C, AM=1.5, Wind Speed 1m/s

<sup>4</sup> "V" represents the mono-facial module type applied to a maximum system voltage of 1500V DC

## Operating Conditions

Operating Temperature (°C)	-40 to +85
Maximum System Voltage (V)	1000/1500 DC(IEC)
Overcurrent Protection Rating (A)	25
Power Output Tolerance (%)	0~3
Protection Class	Class II
Max. Test Load, Push/Pull (Pa)	Front 5400 / Back 2400
Max. Design Load, Push/Pull (Pa)	Front 3600 / Back 1600
Hail Class	HW4*

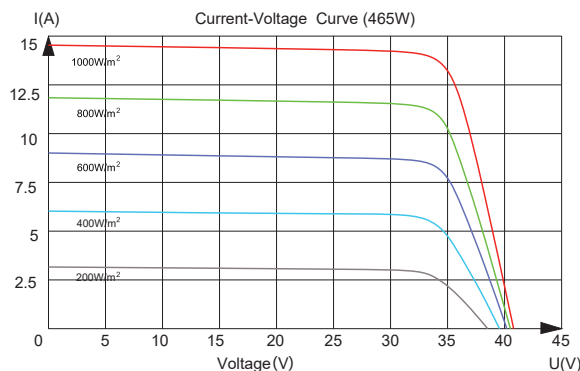
\* Reference diameter of ice balls-VKF 40mm, Ice ball storage temp -20°C.

## Packaging

Container	40HQ
Pallet Dimensions (mm)	1800x1140x1250
Pieces per Pallet	36
Pieces per Container	936

## Temperature Characteristics

Nominal Module Operating Temperature (NMOT)	42±2°C
Temperature Coefficient of Pmax (%/°C)	-0.29
Temperature Coefficient of Voc (%/°C)	-0.25
Temperature Coefficient of Isc (%/°C)	+0.048



Hengdian Group DMEGC Magnetics Co.,Ltd.  
 Add: Hengdian Industrial Zone, Dongyang City Zhejiang Province, China 322118  
 Tel: 0086-579-8658-8826 E-mail: solar@dmeqc.com.cn Website: www.dmeqcsolar.com

DMEGC Renewable Energy B.V.  
 Add: Industrierweg 2,2641 RM Pijnacker, Niederlande  
 Tel: +31 (0) 8 58200765 E-mail: contact@dmeqc.eu

Statement: The installation instructions and the warranty conditions must be followed. Due to technological progress, product parameters will be adjusted accordingly. When signing the contract, the latest data of the company shall prevail. All information in this data sheet corresponds to EN 50380. Changes and errors excepted. Document: EN DS-M10RT-54HSW-20240730.

©DMEGC 2024 – All Rights Reserved