



技术参数

Technical parameter

DM-LM0832-56

1、电气性能 Electrical Characteristics

序号 NO.	项目 Items	规格 Specification
5-1	额定电压/ Rated Voltage	1.8 Vrms
5-2	工作电压/ Operating Voltage Range	0.1~1.85 Vrms
5-3	电阻/ Resistance	23 ± 5 Ohm
5-4	额定电流/ Rated Current	Max. 90 mArms
5-5	额定频率/ Rated Frequency	235 Hz
5-6	F0 点振动量/ Acceleration@F0	1.4 ± 0.2 Grms
5-7	频率特性/ Frequency Characteristics	235 ± 5 Hz Refer to Figure 1
5-8	上升时间/ Rising time	50ms Max from 0 to 50% normal acceleration
5-9	下降时间/ Falling time	80ms Max from 100% to 50% normal acceleration
5-10	噪音/ Noise	Max. 50 dB(A) (10cm distance from decibel meter Input Source : 235Hz, 1.8Vrms AC, Sinewave)
5-11	绝缘电阻/Insulation Resistance	Min. 10M ohm (100V DC input, between Case and Lead wire)

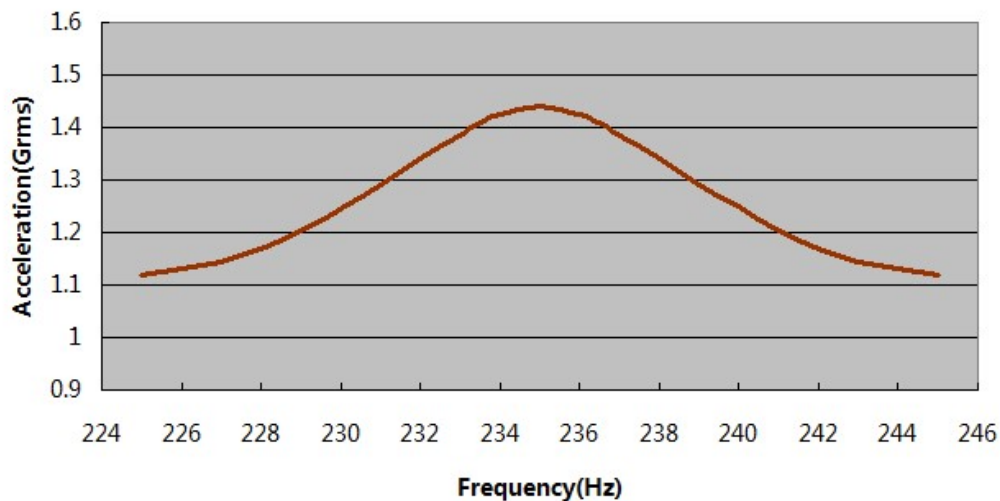


Figure 1. Frequency Response

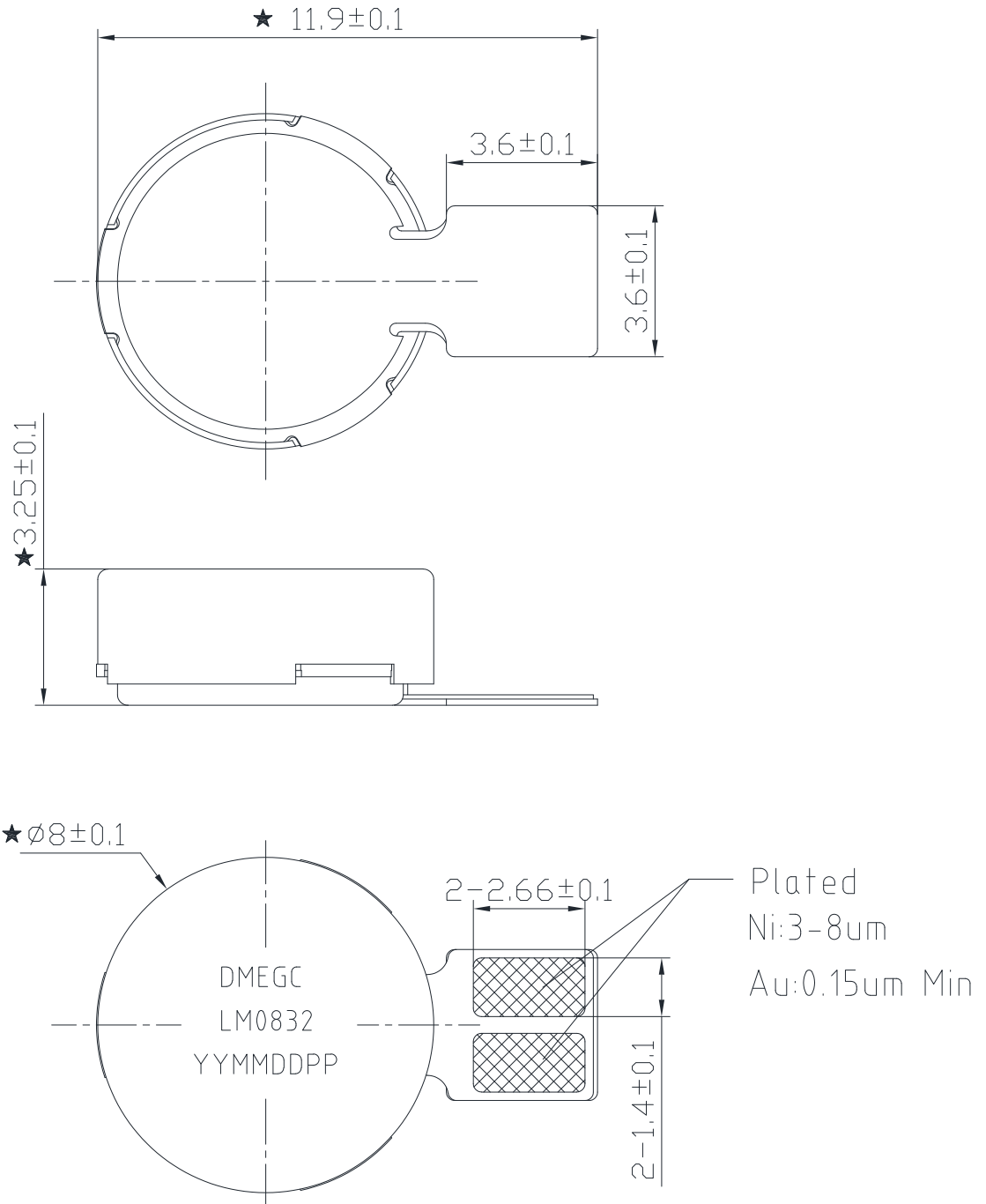


技术参数

Technical parameter

DM-LM0832-56

2、产品外形图 Product Outline Drawing



Technical requirements:

1、FPC Gold-plated side: Au:0.15um Min Ni:3-8um

2、Coding rules:

DMEGC: Manufacturer code LM0832: Motor model

YYMMDDPP: Production batches